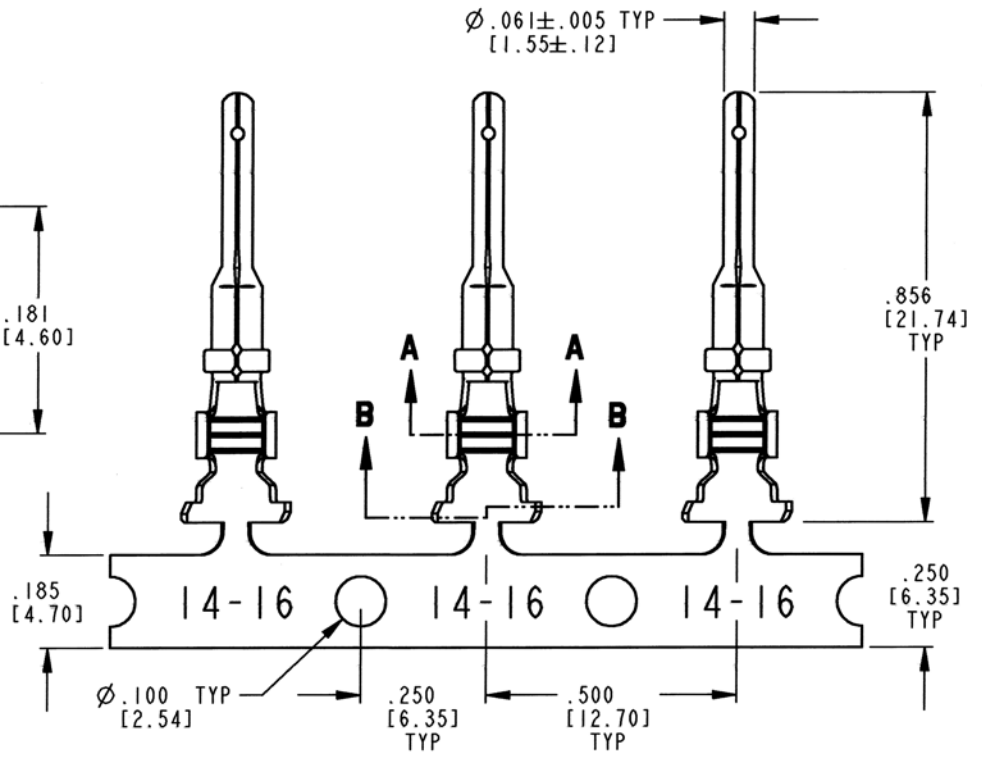


REV  
E 1060-14-01\*\*

REVISIONS			
SYM	DESCRIPTION	DATE	APPROVED
B	REDESIGNED/REDRAWN PER E.O. P16391	11-05-99	R.D.R.
C	REVISED PER E.O. P17000	12-08-00	R.D.R.
D	REVISED PER E.O. P19555	7-11-07	R.D.R.
E	REVISED PER E.O. P20396	6-25-10	RDR



- 7. MATERIAL: COPPER ALLOY.
- 6. WHEN \*\* = 22 PLATING IS NICKEL.  
 \*\* = 44 PLATING IS GOLD.  
 \*\* = 77 PLATING IS TIN.
- 5. SEE 0425-015-0000 FOR CONTACT PERFORMANCE AND WIRE APPLICATION CHARACTERISTICS.
- 4. THIS CONTACT MAY BE CRIMPED WITH DCT16-02-00 AUTOMATIC DIE OR DTT-16-00 HAND TOOL. SEE DRAWING 0425-203-0000 FOR APPLICABLE WIRE SIZE, INSULATION DIAMETER RANGE, AND CRIMPING INFORMATION.
- 3. ONE REEL CONTAINS APPROXIMATELY 4000 CONTACTS.
- 2. DIMENSIONAL TOLERANCE: ±.025 [0.63].
- 1. DIMENSIONS ARE IN INCHES [mm].

NOTES: UNLESS OTHERWISE SPECIFIED

SIGNATURE & DATE	
DR	J. APOSTOL 03DEC2009
CHK	D. Meyer 6/25/10
PE	D. Meyer 6/25/10
APPD	R. Reed 6-25-10
SCALE	NONE WT

STAMPED CONTACT  
PIN  
SIZE 16

ENVELOPE

EP	MATL. CODE
3850 INDUSTRIAL AVE. HEMET, CA 92545	
<b>B</b>	<b>1060-14-01**</b>
DWG SIZE	CODE 11139 SHEET   OF